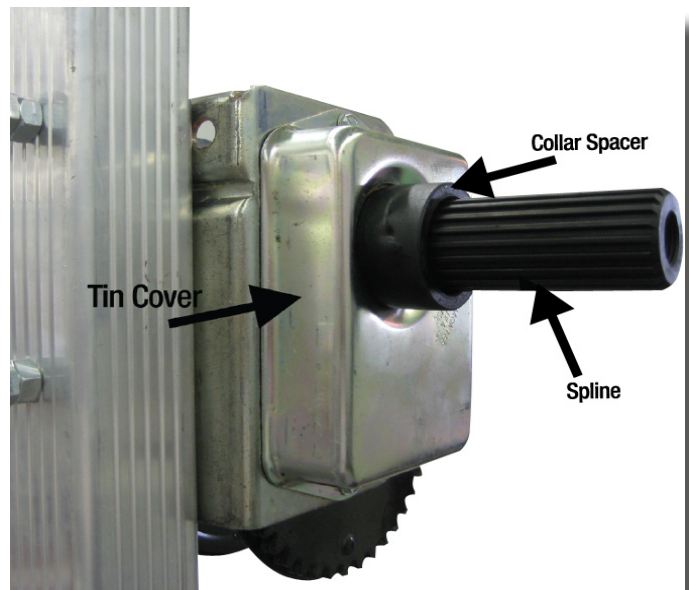
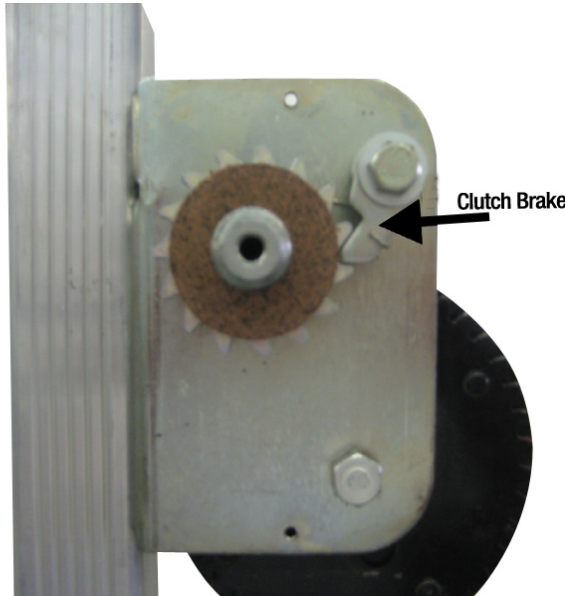


## Dutton Lainson B1200 / B1500 Installation Guide

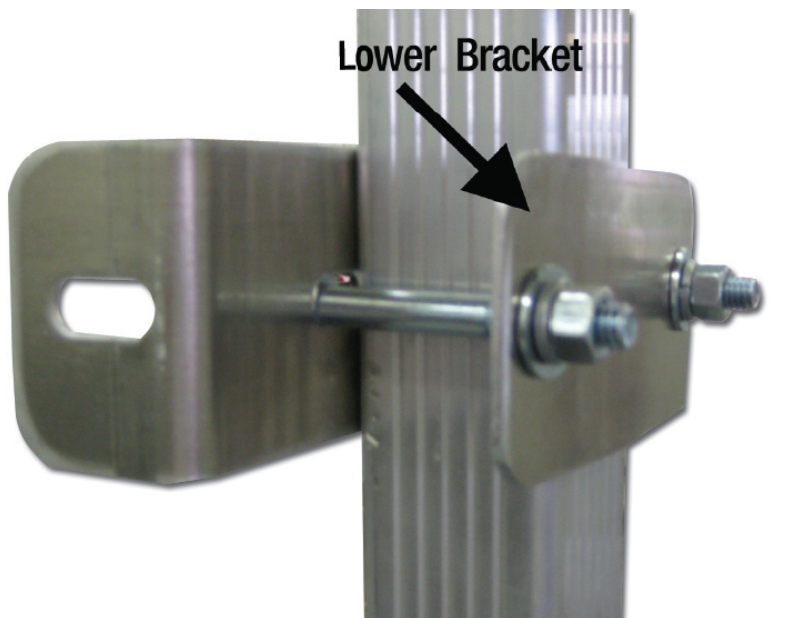
**Always Lower The Boat Lift Before Attempting Assembly.**

Tools Required: Phillips Screwdriver, Crescent Wrench, 3/4 Wrench and 9/16 Wrench.

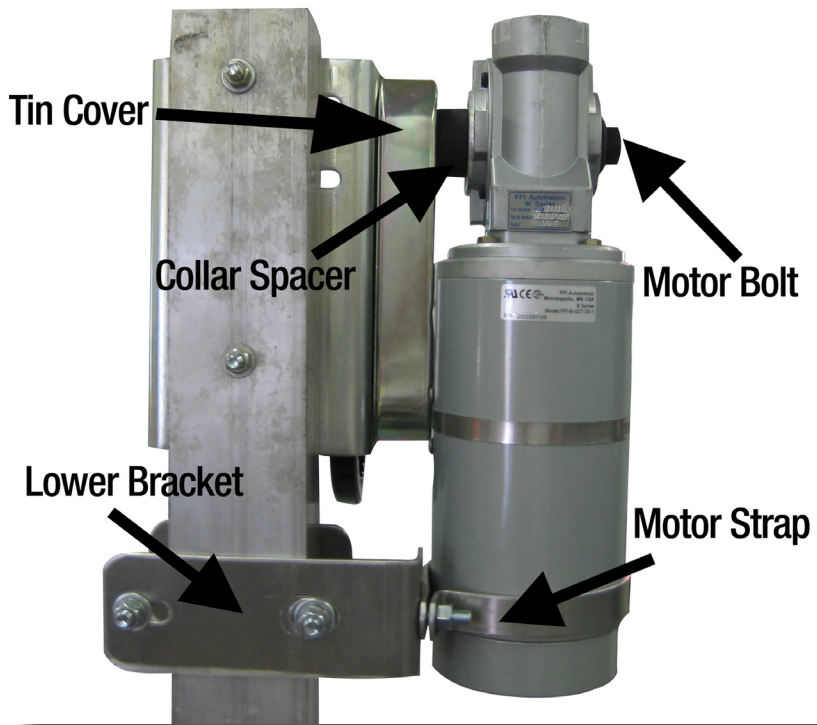


1. Lower the Boat Lift.
2. Remove the Wheel.
3. Remove the Tin Cover.
4. Remove the Clutch Brake.

5. Install the Tin Cover.
6. Install the Spline.
7. Install the Collar Spacer.



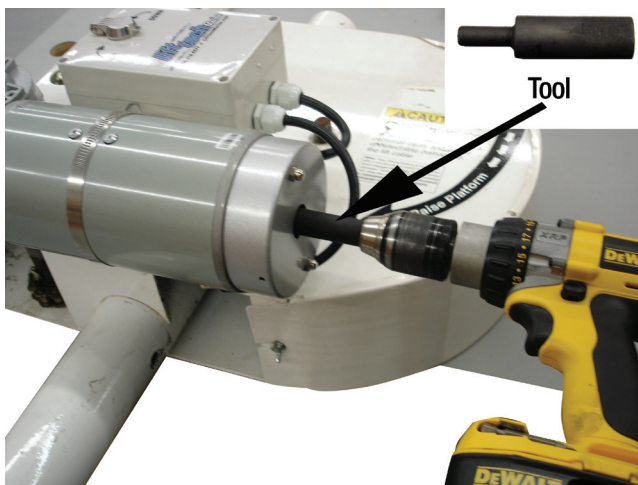
8. Install the Lower Bracket as Shown.



9. Slide Motor onto the Spline.
10. Install the Black Washer and Bolt. Tighten to Approximately 70 Foot Pounds.
11. Install the Motor Strap around the Motor.
12. Connect the Lower Bracket and the Motor Strap together. Tighten all the Bolts.



**Plug in and Enjoy!**



In case of a Power Outage, this Tool may be Inserted into a Drill to Raise or Lower your Lift.

Recommended Extension Cords up to 150 feet 12/3.

Any question regarding Electrical current requirements please call your Authorized Dealer or Lift Tech Marine 1-866-319-8877.

**Caution: All power used on your dock or lift needs to be GFI protected at the shore line.**